

C-Series Padlocks

1K21

Cruiser Padlocks & keys



ASSA ABLOY

Application:

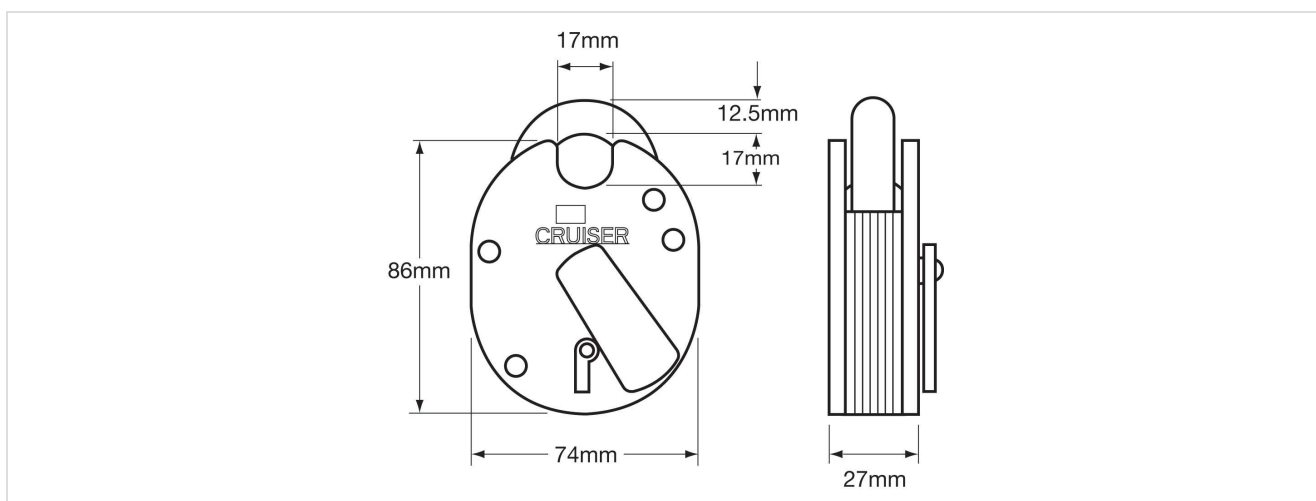
- Close shackle tough padlock for use in security applications

Specification:

- 5 lever mechanism, key to lock, key to unlock
- Non-key retaining
- Hardened steel unsprung shackle
- Keyed to differ supplied with 2 keys
- Please specify number of keys required for keyed alike or master key product
- Anti Saw
- Force Resistant
- Anti Pick
- Torque Resistant
- Shackle Type - Close
- Shackle Diameter - 12.5mm
- Shackle Clearance - 17mm
- Shackle Material: Hardened Steel
- Locking Mechanism - Key
- Key Blanks: B-K126-M
- Cut Keys:
 - B-1K21-STD Standard Key
 - B-1K21-SK Servant Key
 - B-1K21-MK Master Key



Technical Design:



C-Series Padlocks

1K21

Cruiser Padlocks & keys



ASSA ABLOY

Variants:

Code	Description
B-1K21	CRUISER PADLOCK
BP-1K21-0K	CRUISER PADLOCK TO PASS
BP-1K21	CRUISER PADLOCK
BM-1K21-0K	CRUISER PADLOCK (ENSUITE)
B-1K21-SK	SERVANT SUITE KEY
B-1K21-STD	STANDARD KEY (SPECIALS)
B-K126-M	KEYBLANK 1K21 (STOCKIST)
B-K198-M	KEY BLANK 1K11 (IRONMONGERS)
B-K521-250	KEYBLANKS FOR 3G110/3R35/3R35X/3K70/3J60/3M50/3M51 (250)
B-K521-M	KEY BLANK 3G110 (STOCKIST)